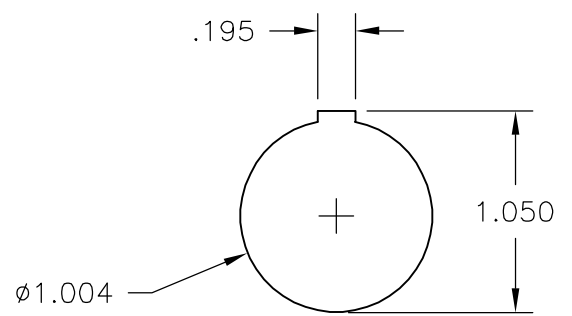
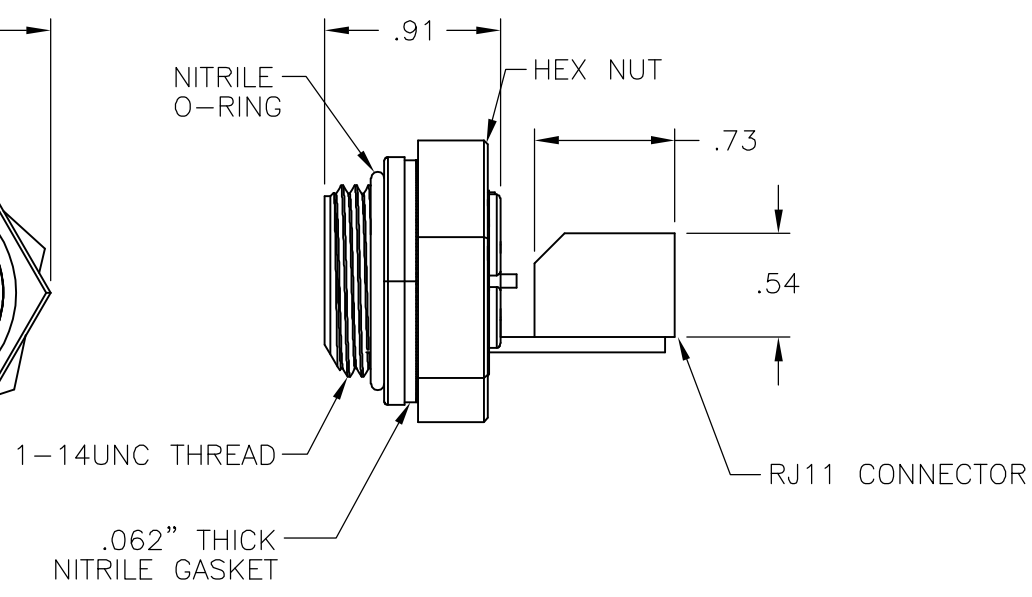
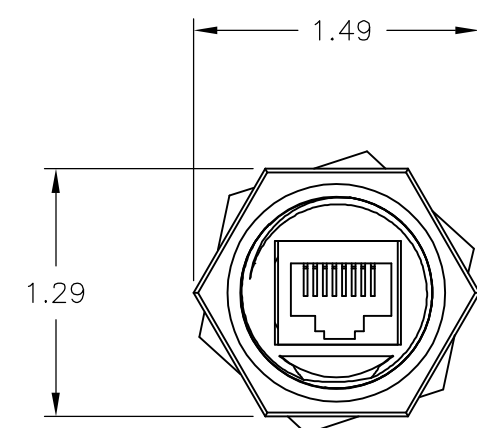
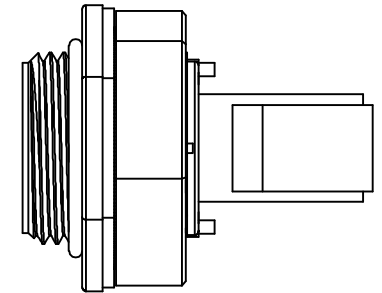


THIS DRAWING IS UNPUBLISHED. RELEASED FOR PUBLICATION  
 © COPYRIGHT BY TYCO ELECTRONICS CORPORATION. ALL RIGHTS RESERVED.

| LOC | DIST | REVISIONS   |                          |        |       |
|-----|------|-------------|--------------------------|--------|-------|
| P   | LTR  | DESCRIPTION | DATE                     | DWN    | APVD  |
| FT  | 0    | C           | REVISED PER ECO-06-16025 | 7/7/06 | SS DC |



BACKEND DIMS.  
OF RECEPTACLE



|            |             |
|------------|-------------|
|            | 1-1546415-1 |
| SUPERSEDED | 1546415-1   |
|            | PART NO.    |

|   |  |                   |           |   |                    |
|---|--|-------------------|-----------|---|--------------------|
| THIS DRAWING IS A CONTROLLED DOCUMENT.  |  | DWN<br>S SCHLEGEL | 09OCT2002 | Tyco Electronics Corporation<br>Harrisburg, PA 17105-3608 |                    |
| DIMENSIONS:<br>INCHES   |  | CHK<br>H WAKEEM   | 10/9/02   |   |                    |
| TOLERANCES UNLESS OTHERWISE SPECIFIED:  |  | APVD<br>H WAKEEM  | 10/9/02   | NAME<br>RJ-11 BULKHEAD PASS THROUGH WITH BACKSIDE JACK    |                    |
| 0 PLC ± -<br>1 PLC ± -<br>2 PLC ± .02<br>3 PLC ± .005<br>4 PLC ± -<br>ANGLES ± 2' |  | PRODUCT SPEC      |           | RESTRICTED TO   |                    |
| MATERIAL  |  | WEIGHT            |           | SIZE<br>A3  | CAGE CODE<br>00779 |
| FINISH  |  | CUSTOMER DRAWING  |           | DRAWING NO<br>C-1546415                                   | SCALE<br>NTS       |
|   |  |                   |           | SHEET<br>1 OF 1   | REV<br>C           |